

FIELD/SELF POWERED TELEPHONE

SPT

In times of app-based technologies, there remains a critical need for fail-safe communications, particularly for military applications. The 4500 series Field/ Self-Powered Telephones by ELCOME provide such an assurance, being self-energized and requiring no batteries or power supply for operation. The SPT provides an effective internal communication means during normal voyage, for combat or damage control situations, as well as for maintenance of equipment/ machinery. It thus serves as an effective self-contained, emergency communication system. This versatile SPT has applications for shipboard use, as well as for land-based requirements of field telephones.

FUNCTIONAL METHODOLOGY

Calling signals are derived from a hand operated magneto-generator, the output from which is also stored to provide power to the amplifiers which amplify the speech signals. Incoming calls are signalled audibly with a tone emitted by the microphone in the handset and visually by an integral flashing LED. For noisy locations such as machinery compartments, external relay unit can be used to switch a bell, beacon or horn.

Simple hand cranking provides for 20 minutes of operation. Elcome's SPTs also readily connect to the ship's 24 V supply. Intrinsic Safe (IS) type Field Telephone units are available for hazardous area applications.

SUITED FOR
RUGGED
ENVIRONMENT



ELCOME[™]
INTEGRATED SYSTEMS

DESIGNED AND MADE IN INDIA

FIELD TELEPHONE MODELS

- 4501FM - Flush, Single Way.
- 4501BH - Bulkhead, single Way
- 4501 BS - Bulkhead single Way with headset socket
- 4512FM - Flush, 12 Way,
- 4512BH - Bulkhead, 12 Way
- 4512 BS - Bulkhead 12 Way with headset socket
- 4524FM - Flush, 24 Way,
- 4524BH - Bulkhead,24 Way
- 4524 BS - Bulkhead 24 Way with headset socket
- 4501 P - Portable Single way,
- 4512 P - Portable 12 way
- 4524 P - Portable 24 way
- 4501 BS/I -Bulkhead single Way with headset socket (IS type)
- 4512 BH/I -Bulkhead 12 Way (IS Type)

ACCESSORIES/ADDITIONAL UNITS

- 455001- Socket box,
- 457501- Relay box,
- 454012- Junction Box.
- 457001- Headset & microphone
- 459001- Weather proof enclosure,
- 458001- Zener Barrier
- 456007- Sounder & Flasher

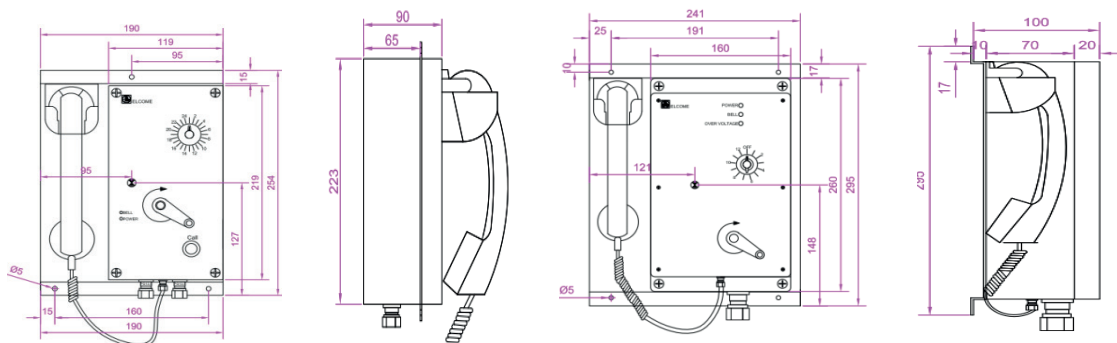
FEATURES

- Provision to connect to ships 24V DC supply
- Audio-Visual call indications
- High quality audio
- Suitably designed to withstand vibration, humidity & shock
- Station selection facility (up to 24 station)
- Call forwarding & Call conferencing facility
- Suitable mounting configurations
- Talk time >20 minute in self power mode

ENVIRONMENTAL/EMI/EMC/IS TEST

- Environmental test as per IEC 60945
- EMI/EMC test as per IEC 60945
- Shock Test as per IEC 60068-2-27 (1987)
- Intrinsic Safe test as per IEC 60079-11
- IP Rating : IP 44 for FT & IP 56 for Portable FT

FT Type	Dimension (mm) (HxWxD)	Weight (Kg)
Bulk Head Mount	254 x 190 x 90	3.0
Flush Mount	253 x 190 x 90	3.0
Intrinsic Safe Type	295 x 241 x 90	4.6
FT Portable	254 x 190 x 90	2.8



FIELD/SELF POWERED TELEPHONE

ELCOMETM
INTEGRATED SYSTEMS

ELCOME INTEGRATED SYSTEMS PVT. LTD.

11th Floor, Great Eastern Summit 'A', Plot No. 56, Sector 15, CBD Belapur, Navi Mumbai, Maharashtra - 400614, INDIA

T +91 22 67618000 | F +91 22 67124694 | E sales@elcome.in | W elcome.in